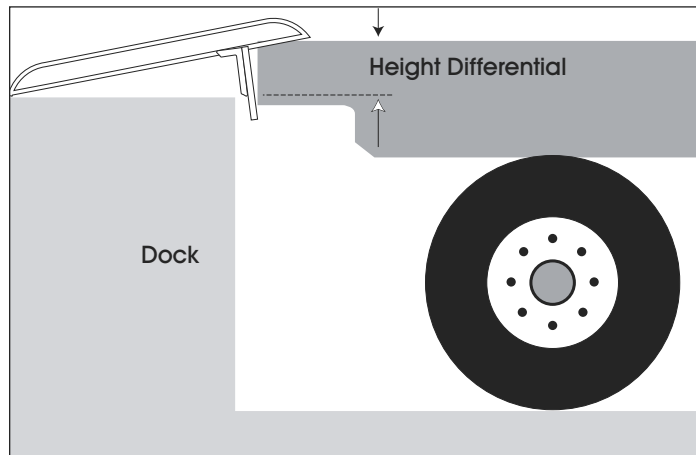




DOCK BOARDS AND DOCK PLATES GUIDE

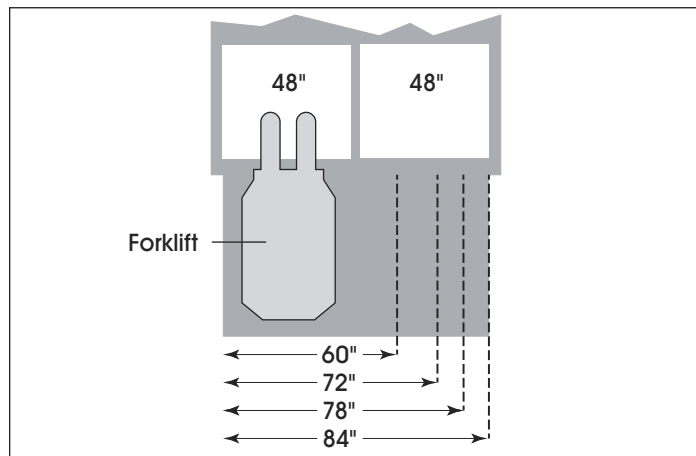
HEIGHT DIFFERENTIAL

The difference in height between the dock and the truck bed. Most trailers feature a 55" truck bed height. Refrigerated trailers are usually 59".



WIDTH

The dock board width should exceed the overall width of the pallet or vehicle used by at least 12-18". Wider boards allow for improved mobility and efficiency.



CAPACITY

Dock Plate: The capacity must exceed the combined weight of the heaviest load and the vehicle's weight.

Dock Board: Three times the vehicle lifting capacity. More for three-wheeled forklifts.

CAPACITY SELECTION CHART		
LIFTING CAPACITY (LBS.)		BOARD CAPACITY (LBS.)
3-WHEEL FORKLIFT	4-WHEEL FORKLIFT	
2,000-2,500	2,000-3,000	10,000
2,500-3,500	3,000-5,000	15,000
3,500-5,000	5,000-6,000	20,000
5,000-6,200	5,000-8,000	25,000

1-800-295-5510 uline.com